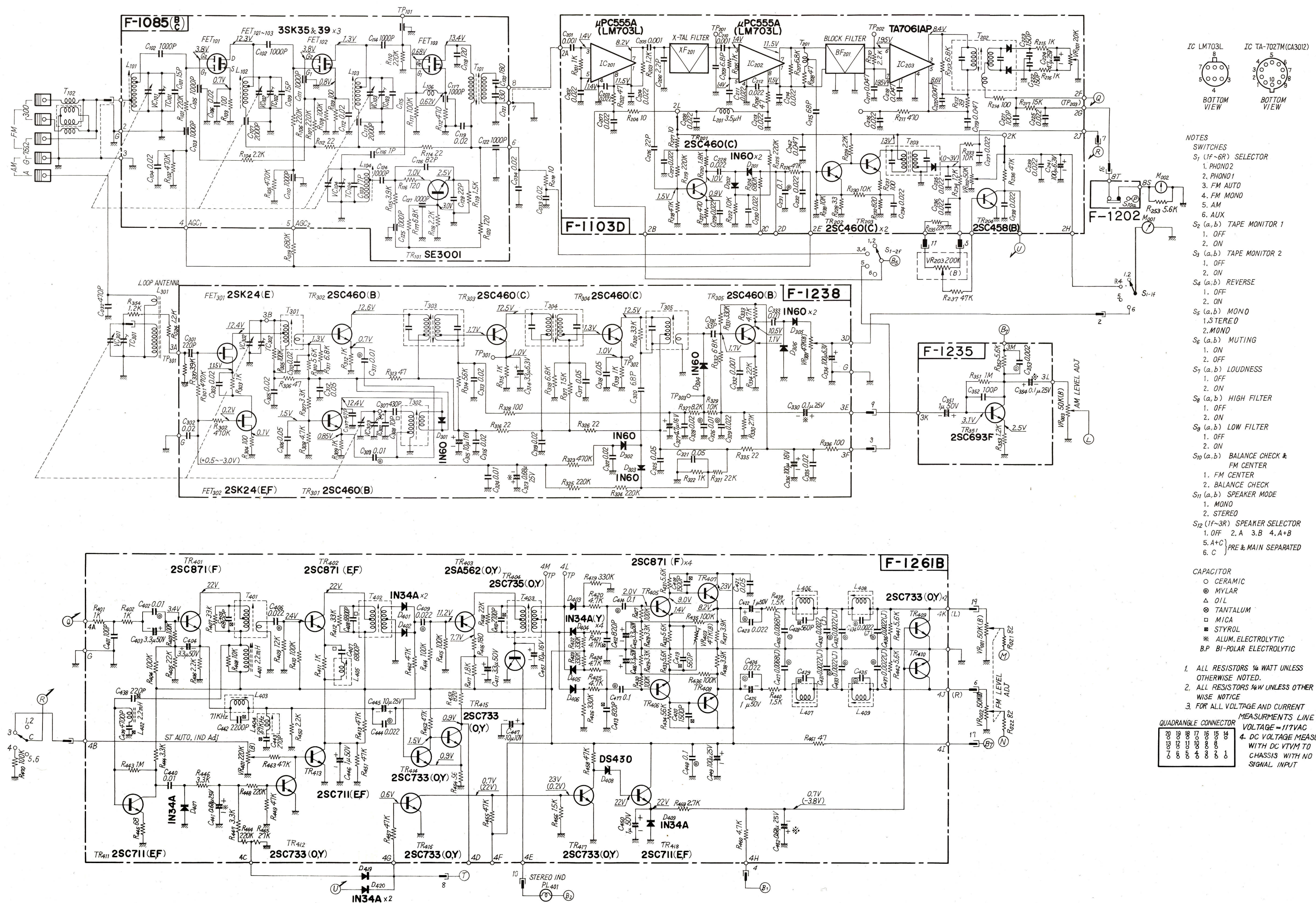
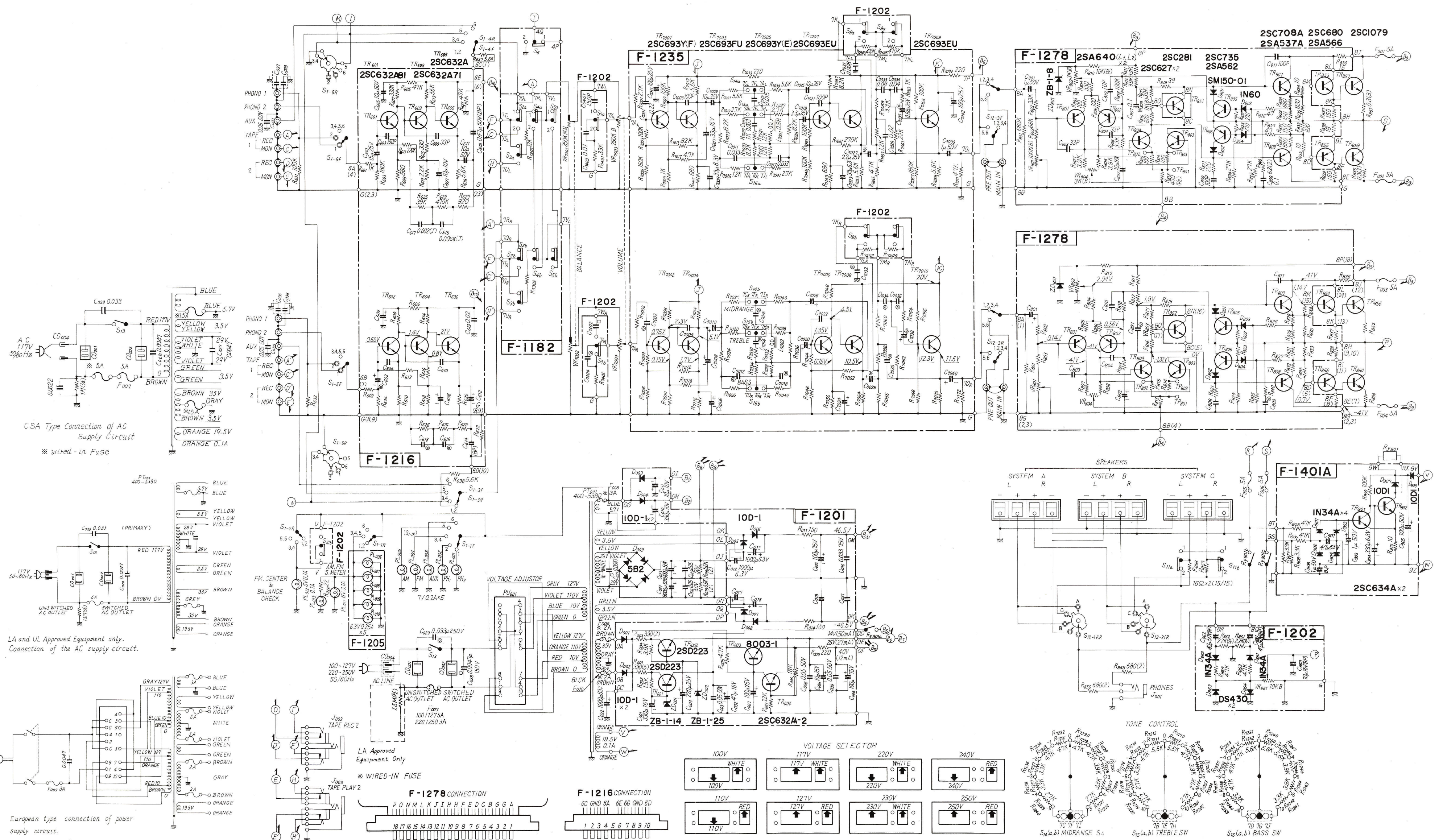


SANSUI EIGHT: SCHEMATIC DIAGRAM No.1



* Design and specifications subject to change without notice for improvements.

SANSUI EIGHT: SCHEMATIC DIAGRAM No.2



* Design and specifications subject to change without notice for improvements.